

# SCHEMATIC DIAGRAM

## MODEL : 25CSZ5TR/25SZ5ST/25SZ5VX

**WARNING:** BEFORE SERVICING THIS CHASSIS, READ THE "X-RAY RADIATION PRECAUTION", "SAFETY PRECAUTION" AND "PRODUCT SAFETY NOTICE" ON THE MANUAL FOR THIS MODEL.

**CAUTION:** The international hazard symbols "⚠" in the schematic diagram and the parts list designate components which have special characteristics important for safety and should be replaced only with types identical to those in the original circuit or specified in the parts list. The mounting position of replacements is to be identical with originals. Before replacing any of these components, read carefully the PRODUCT SAFETY NOTICE on the MANUAL for this model. Do not degrade the safety of the receiver through improper servicing.

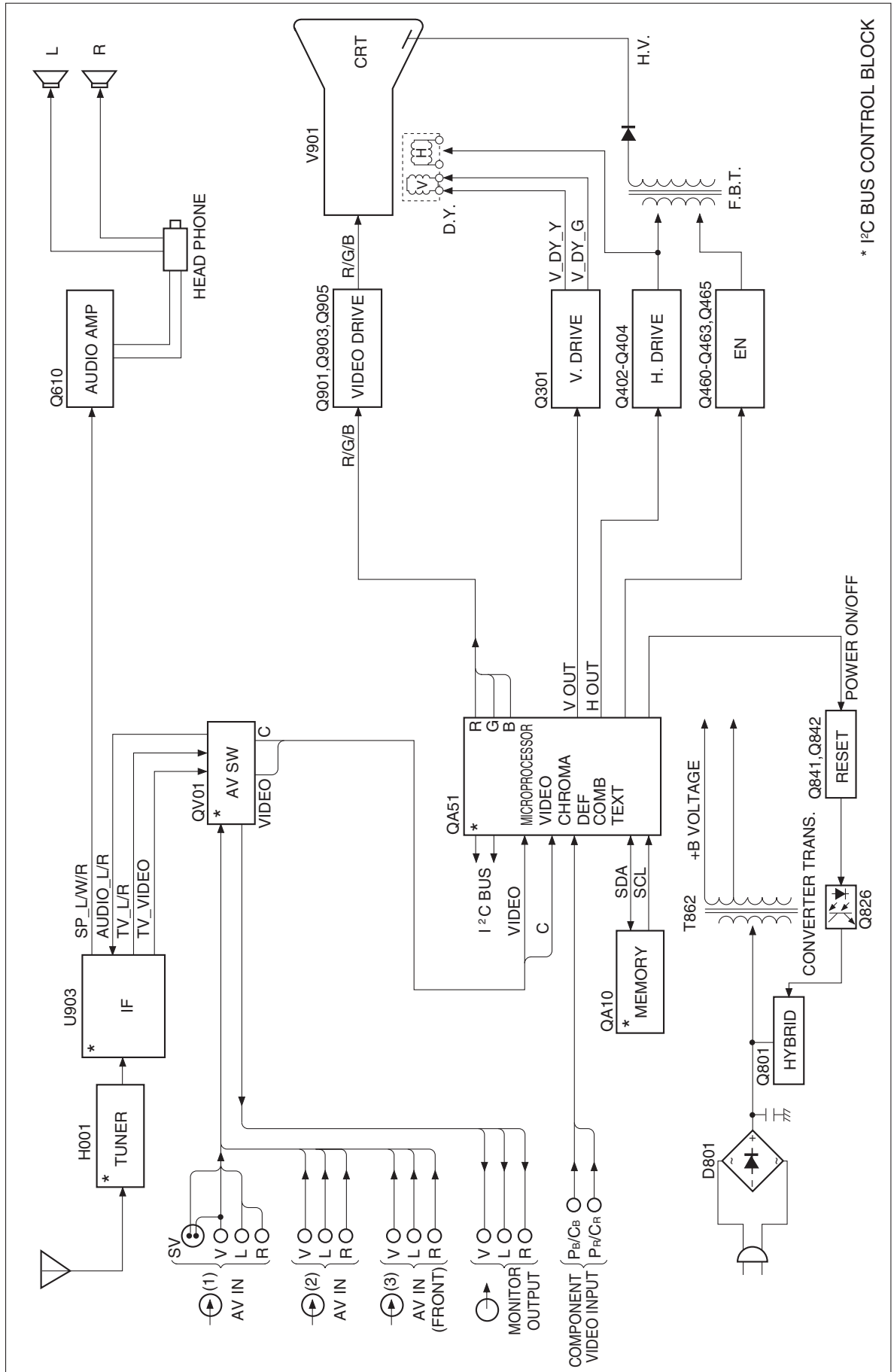
### NOTE:

1. RESISTOR Resistance is shown in ohm [K = 1.000, M = 1.000.000]. All resistors are 1/6W and 5% tolerance carbon resistor, unless otherwise noted as the following marks.  
 1/2R = Metal or Metal oxide of 1/2 watt      1/2S = Carbon composition of 1/2 watt  
 1RF = Fuse resistor of 1 watt      10W = Cement of 10 watt  
 K = ±10%    G = ±2%    F = ±1%
2. CAPACITOR Unless otherwise noted in schematic, all capacitor values less than 1 are expressed in  $\mu$ F, and the values more than 1 in pF.  
 All capacitors are ceramic 50V, unless otherwise noted as the following marks.  
 —<sup>+</sup>||— Electrolytic capacitor      —<sup>⊙</sup>||— Mylar capacitor
3. The parts indicated with "⚠" have special characteristics, and should be replaced with identical parts only.
4. Voltages read with DIGITAL MULTI-METER from point indicated to chassis ground, using a color bar signal with all controls at normal, line voltage at 220 volts.
5. Waveforms are taken receiving color bar signal with enough sensitivity.
6. Voltage reading shown are nominal values and may vary ±20% except H.V.

### ■ SCHEMATIC DIAGRAM STRUCTURE:

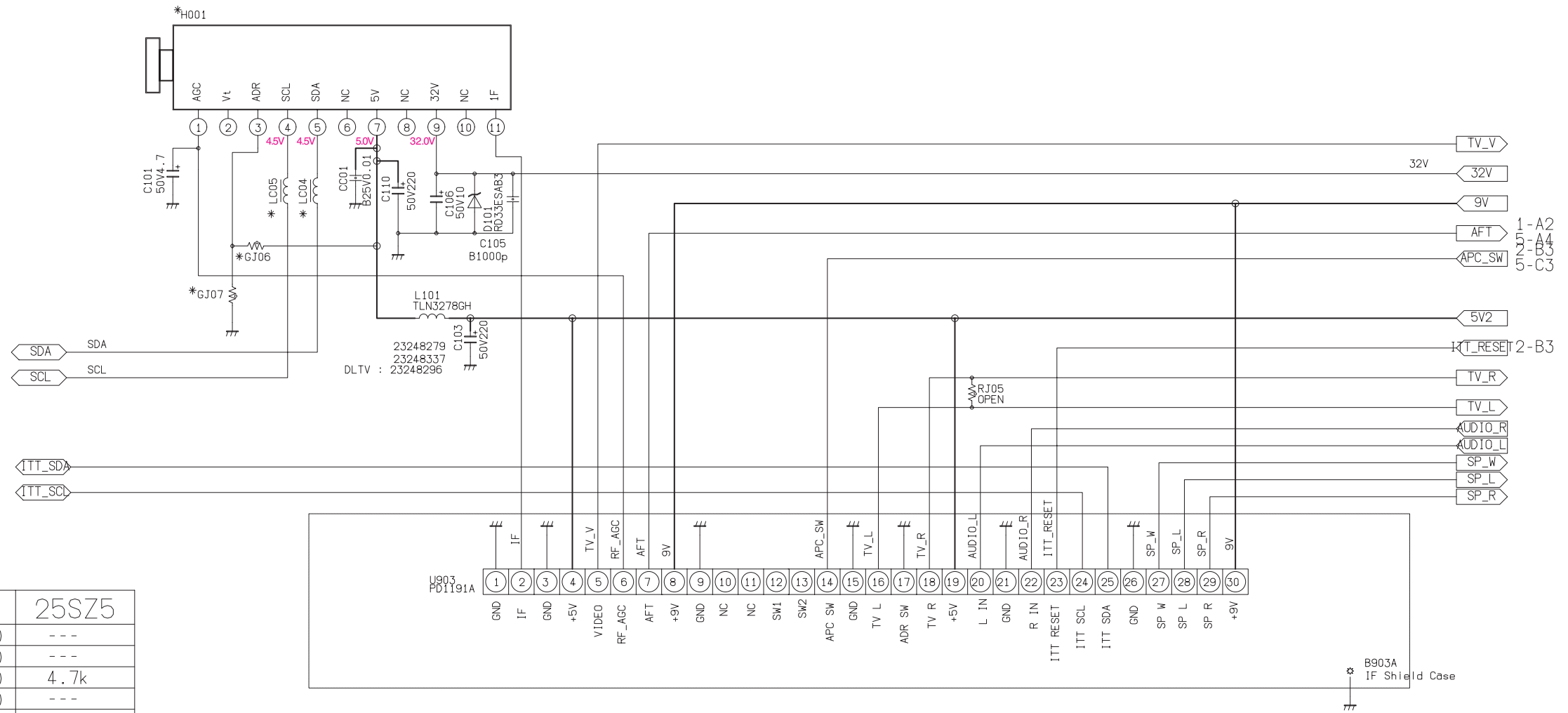
MAIN Circuit	TUNER	[ SHEET- 1/9 ] .....	1/11
	AV SW	[ SHEET- 2/9 ] .....	2/11
	VERT	[ SHEET- 3/9 ] .....	3/11
	HDEF	[ SHEET- 4/9 ] .....	4/11
	VCD/MICON	[ SHEET- 5/9 ] .....	5/11
	A-PRO/AUDIO-AMP	[ SHEET- 6/9 ] .....	6/11
	PROTECTOR	[ SHEET- 7/9 ] .....	7/11
	POWER	[ SHEET- 8/9 ] .....	8/11
	LOW B REG	[ SHEET- 9/9 ] .....	9/11
CRT DRIVE Circuit .....			10/11
FRONT AV Circuit .....			11/11

# CIRCUIT BLOCK DIAGRAM



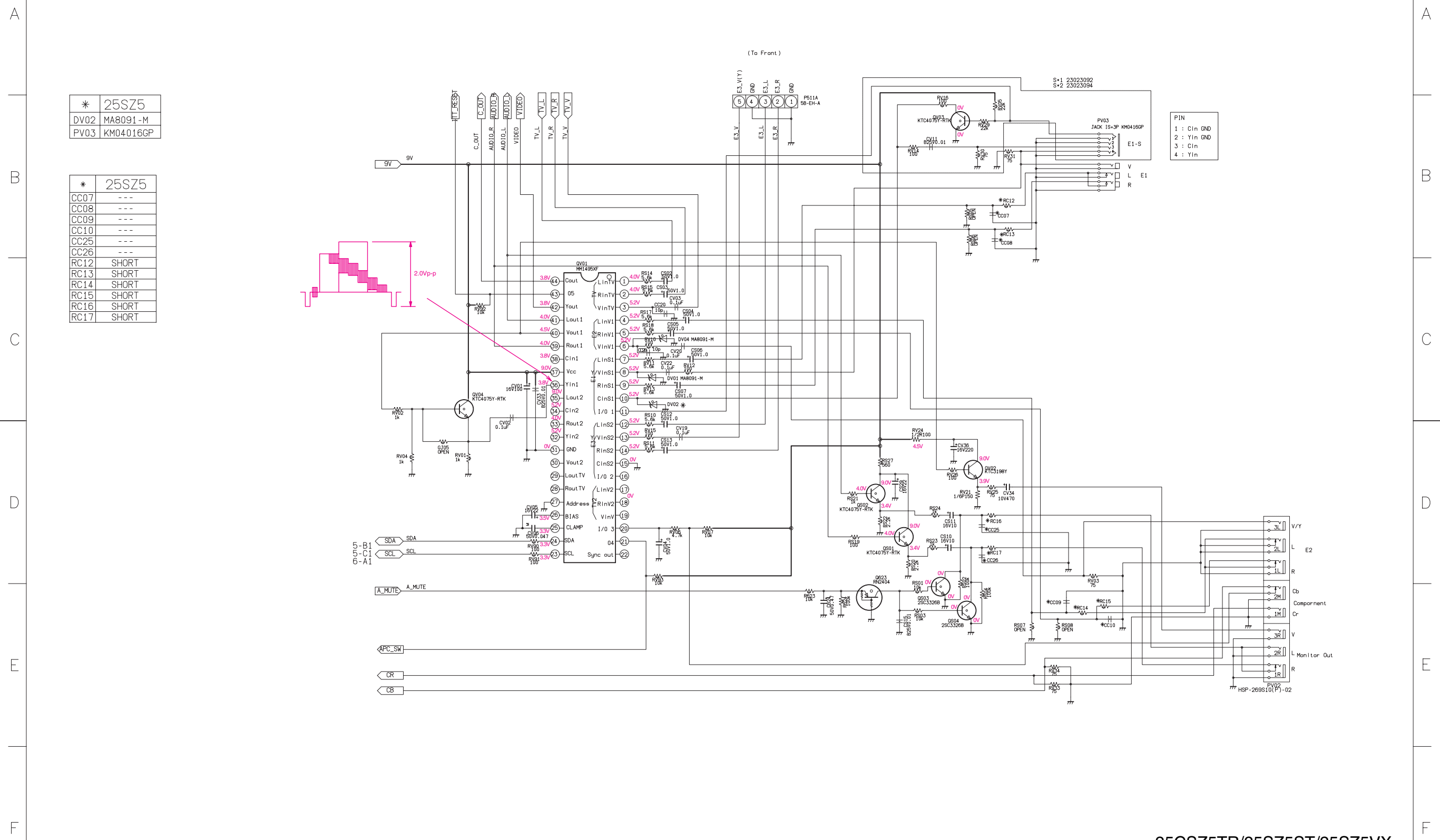
\* I<sup>2</sup>C BUS CONTROL BLOCK

US : 23321456  
JP : 23321459



*	25SZ5
GJ06(R1)	---
GJ06(R2)	---
GJ06(R3)	4.7k
GJ06(R4)	---
GJ07(R1)	---
GJ07(R2)	---
GJ07(R3)	4.7k
GJ07(R4)	---
H001(R1)	ECA33LXC
H001(R2)	ECA33LXB
H001(R3)	ECA33LX6
H001(R4)	ECA33LX8
LC04(RA)	SHORT
LC04(RB)	---
LC05(RA)	SHORT
LC05(RB)	---

25CSZ5TR/25SZ5ST/25SZ5VX  
MAIN (TUNER)  
SHEET-1/9



* 25SZ5
DV02 MA8091-M
PV03 KM04016GP

* 25SZ5
CC07 ---
CC08 ---
CC09 ---
CC10 ---
CC25 ---
CC26 ---
RC12 SHORT
RC13 SHORT
RC14 SHORT
RC15 SHORT
RC16 SHORT
RC17 SHORT

PIN	
1	: Cin GND
2	: Yin GND
3	: Cin
4	: Yin

25CSZ5TR/25SZ5ST/25SZ5VX  
 MAIN (AV SW)  
 SHEET-2/9

1

2

A

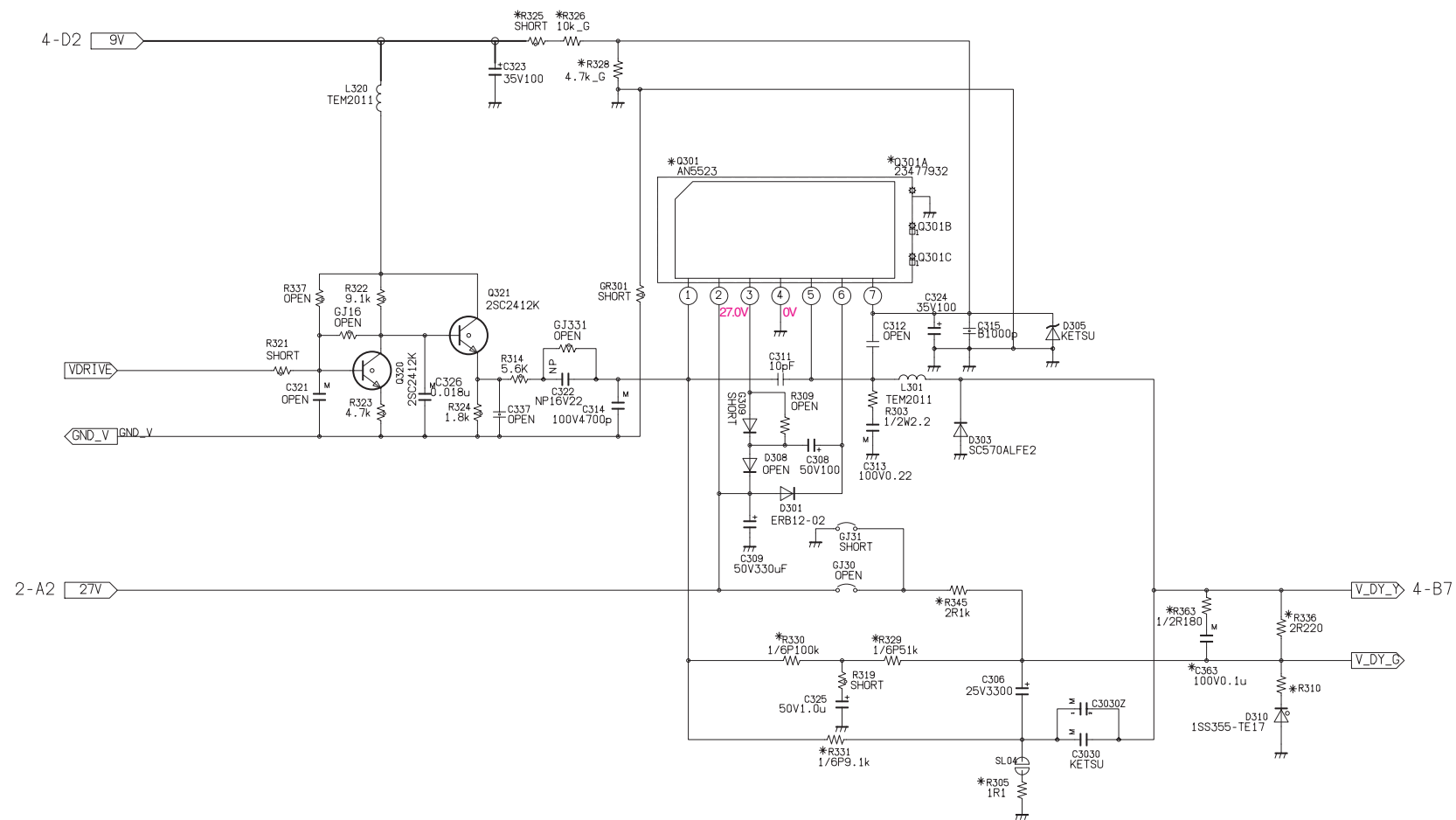
A

B

B

*	25SZ5
C363	M100V0.1uF
Q301	AN5523
Q301A	23477940
R305	1R1
R312	2R1K
R325	SHORT
R326	1/6P10K
R328	1/6P4.7K
R329	1/6P51K
R330	1/6P100K
R331	1/6P9.1K
R336	2R150
R363	1/2R180

	TEXT	W/O TEXT
R310	1/2W8.2K	KETSU



25CSZ5TR/25SZ5ST/25SZ5VX  
 MAIN (VERT)  
 SHEET-3/9

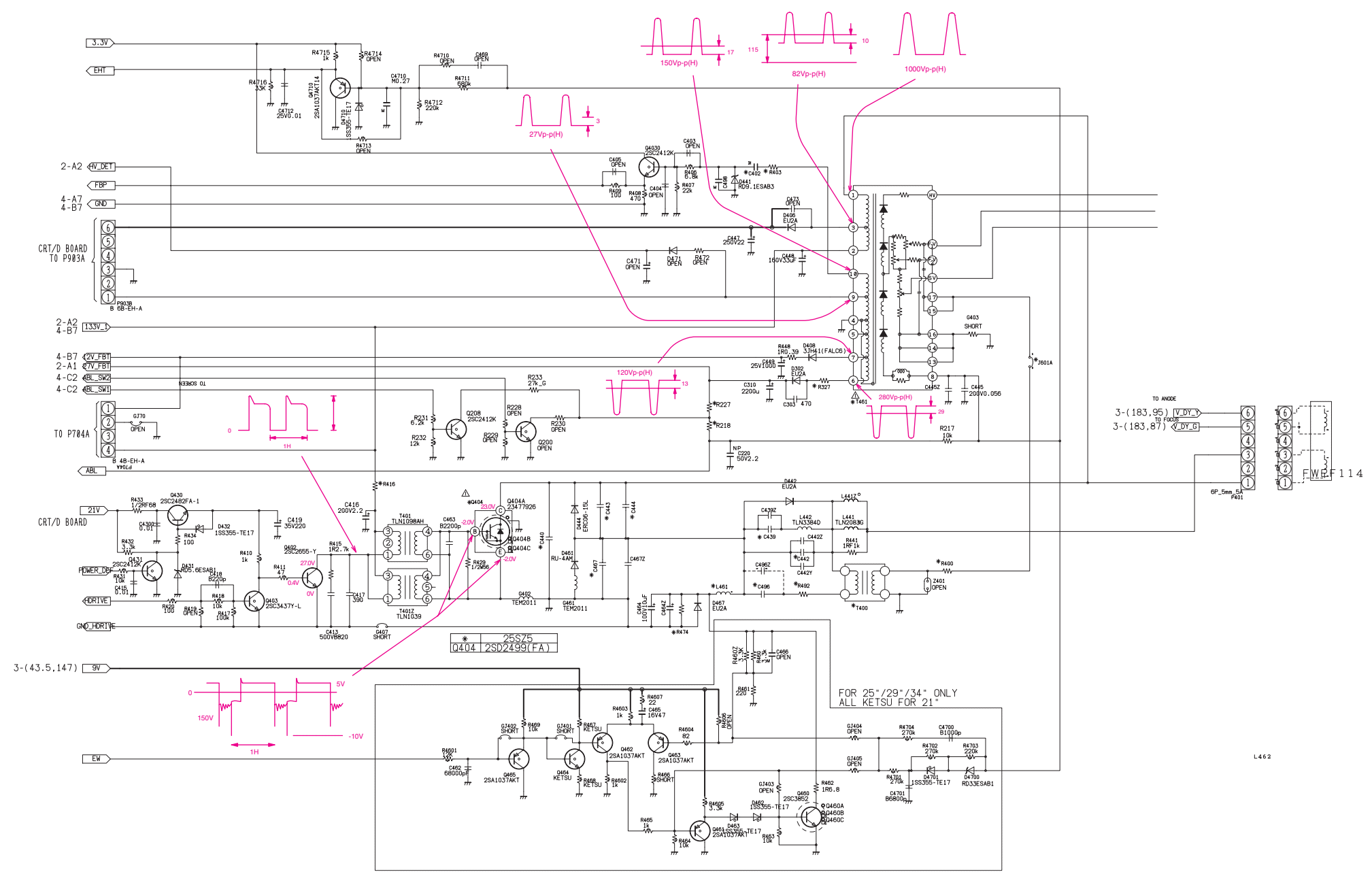
1

2

1 2 3 4 5 6 7 8

A  
B  
C  
D  
E  
F

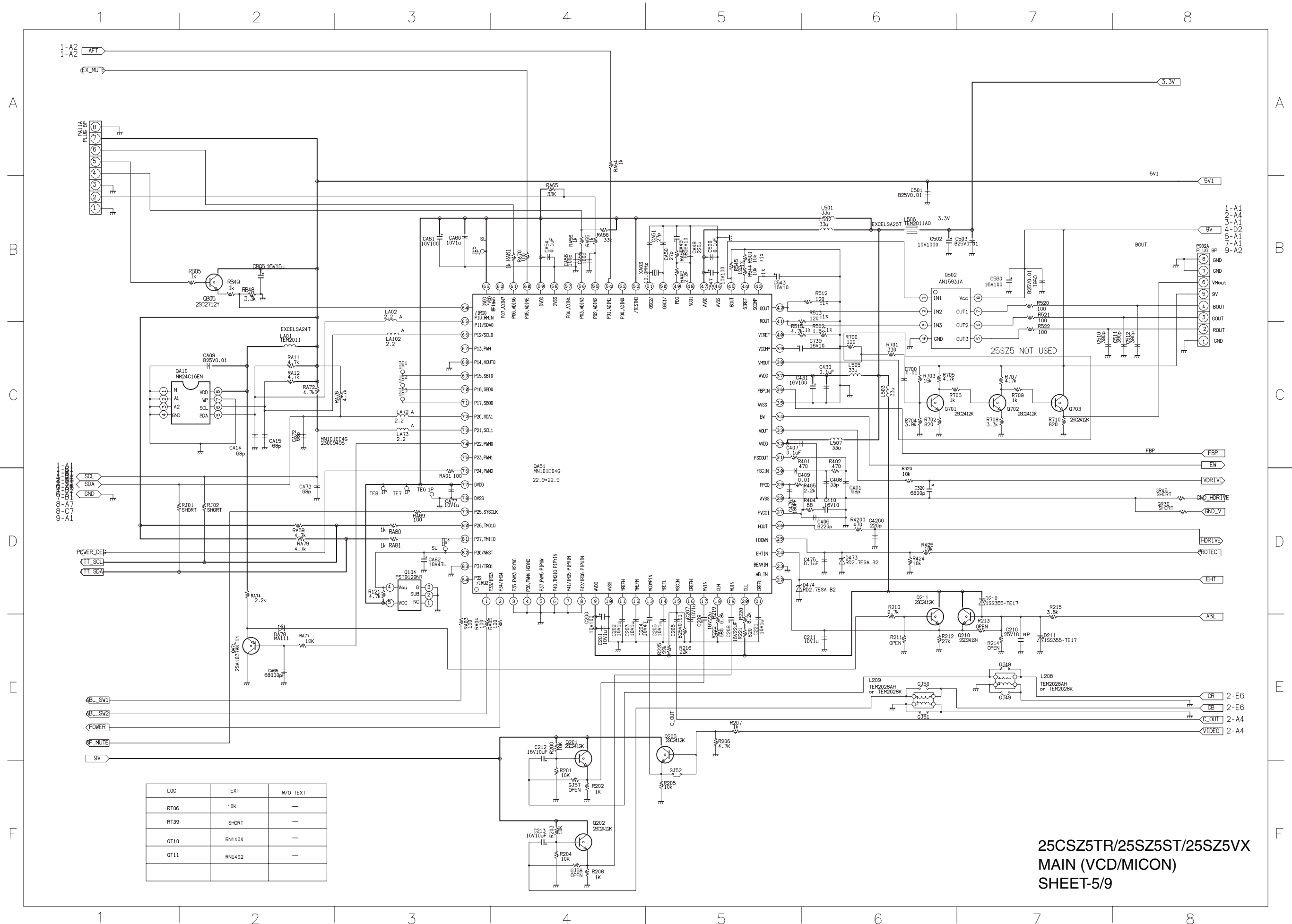
A  
B  
C  
D  
E  
F



*	25SZ5
C402	M100V472J
C439	400V473J
C440	1500V222H
C442	315V334J
C443	1500V722H
C444	1500V472H
C467	630V333J
C496	-
J601A	-
L441(RA)	TLN2157G
L441(RB)	-
L441(RC)	-
L442	TLN3384D
L461(RA)	TLN335AF
L461(RB)	TLN335AD
R218	1/6W103G
R227	1/6W512J
R327	2R5.6J
R400	-
R403	1W472J
R416(RA)	5W332J(24019329)
R416(RB)	5W332J(24510332)
R492	-
R474	-
T400(RA)	-
T400(RB)	-
T461(RA)	TFB4186AS
T461(RB)	-
T461(RC)	-

25CSZ5TR/25SZ5ST/25SZ5VX  
MAIN (HDEF)  
SHEET-4/9

1 2 3 4 5 6 7 8



LOC	TEXT	W/O TEXT
RT06	10K	—
RT39	SHORT	—
QT10	RN1404	—
QT11	RN1402	—

25CSZ5TR/25SZ5ST/25SZ5VX  
 MAIN (VCD/MICON)  
 SHEET-5/9

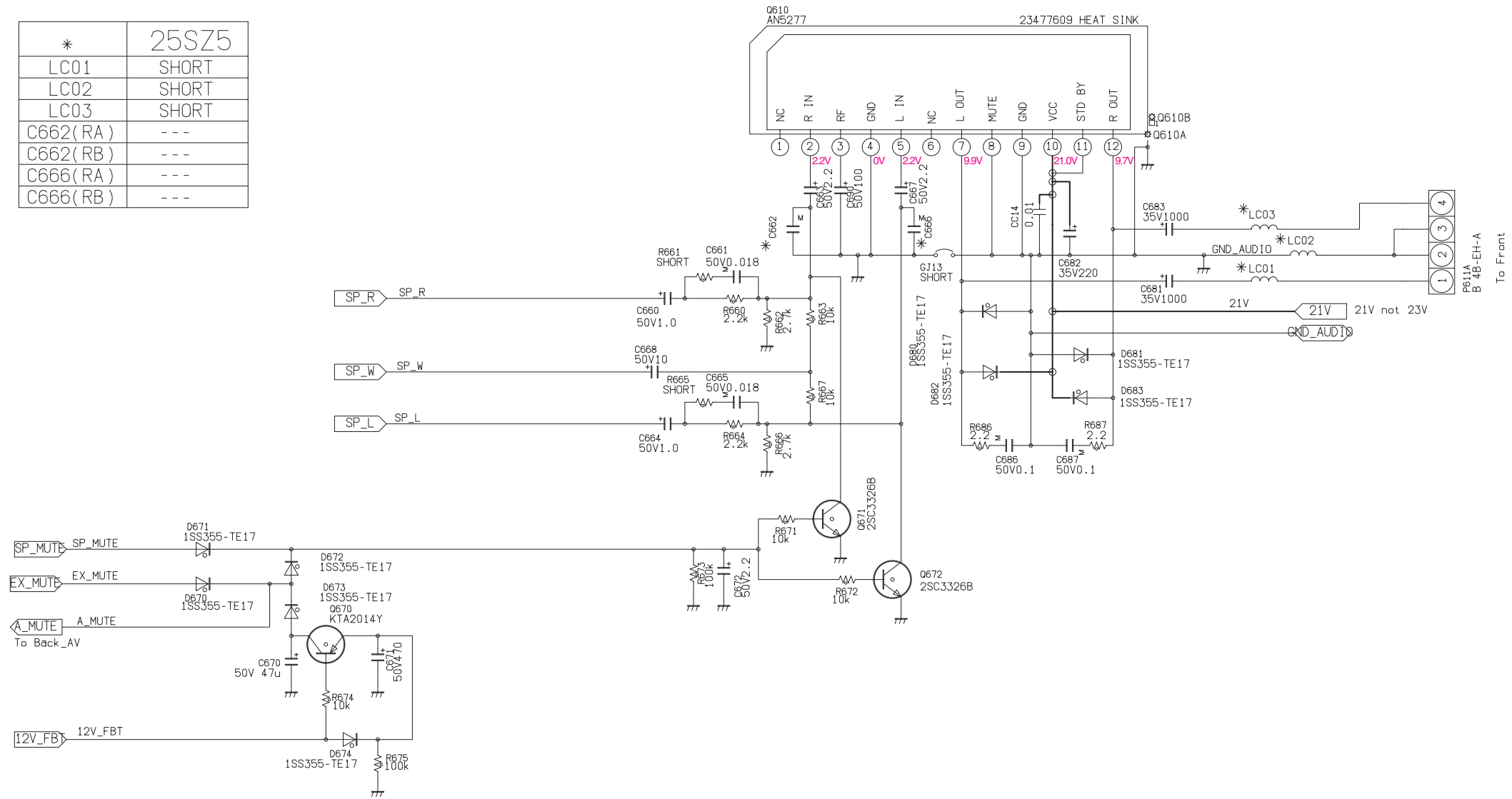
1

2

A

A

*	25SZ5
LC01	SHORT
LC02	SHORT
LC03	SHORT
C662(RA)	---
C662(RB)	---
C666(RA)	---
C666(RB)	---



B

B

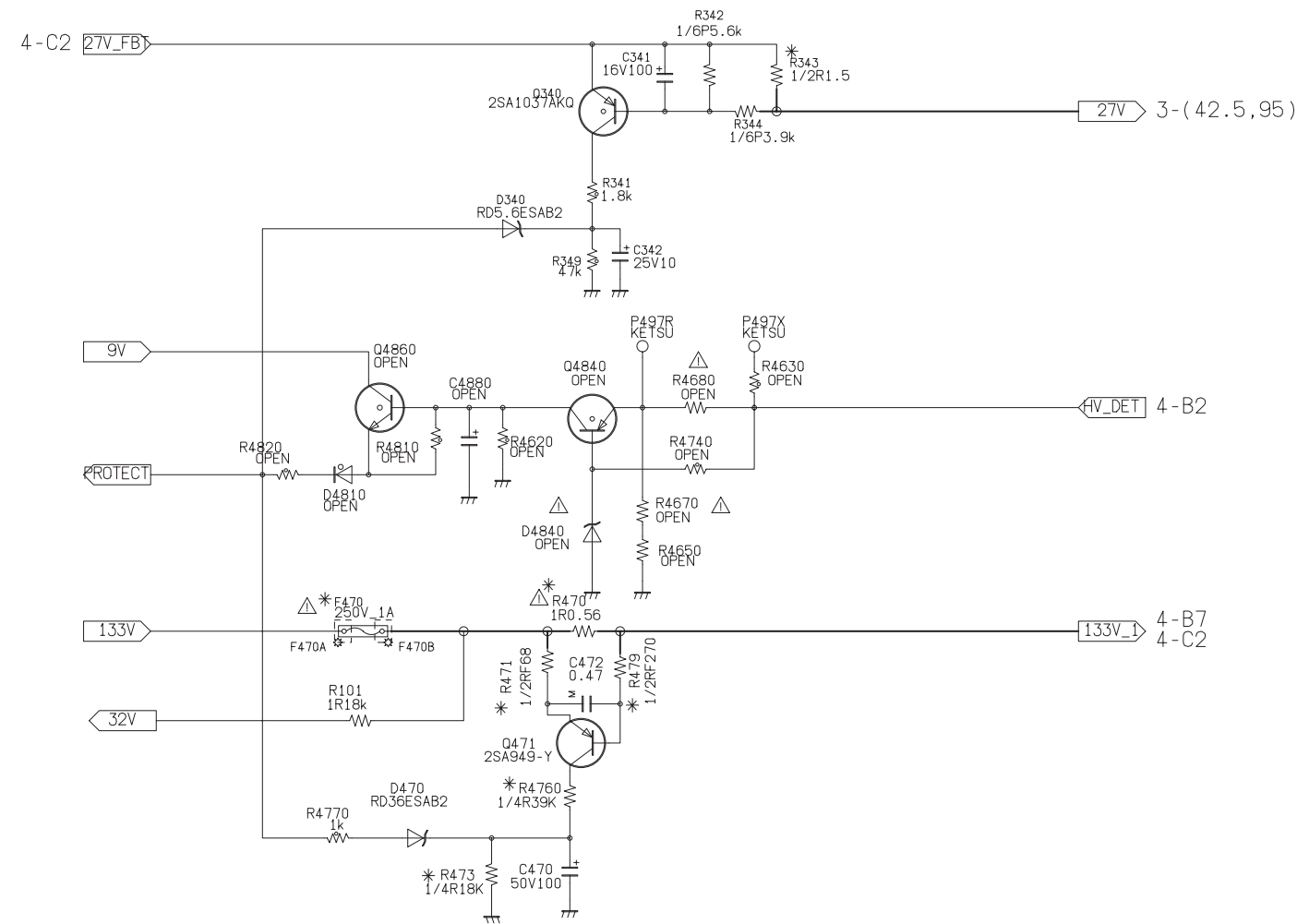
25CSZ5TR/25SZ5ST/25SZ5VX  
 MAIN (A-PRO/AUDIO-AMP)  
 SHEET-6/9

1

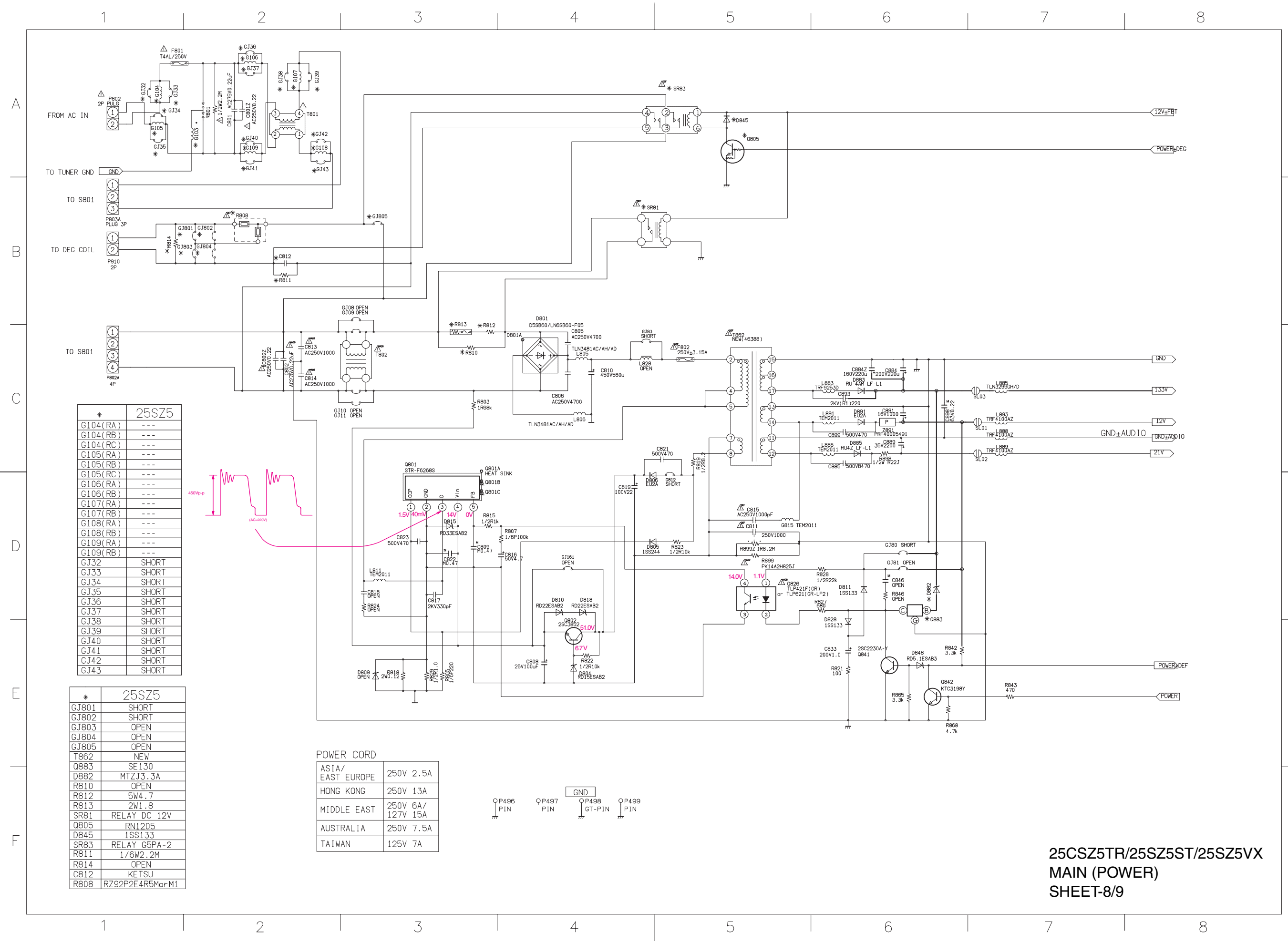
2



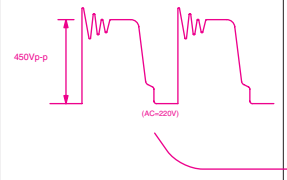
*	25SZ5
F470	FUSE 250V 1A
R470	1R0.56
R471	1/2R68
R479	1/2R270
R4760	1/4R39K
R473	1/4R18K
R343	1/2R105



25CSZ5TR/25SZ5ST/25SZ5VX  
 MAIN (PROTECTOR)  
 SHEET-7/9

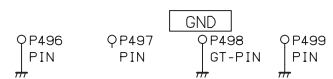


*	25SZ5
G104(RA)	---
G104(RB)	---
G104(RC)	---
G105(RA)	---
G105(RB)	---
G105(RC)	---
G106(RA)	---
G106(RB)	---
G107(RA)	---
G107(RB)	---
G108(RA)	---
G108(RB)	---
G109(RA)	---
G109(RB)	---
GJ32	SHORT
GJ33	SHORT
GJ34	SHORT
GJ35	SHORT
GJ36	SHORT
GJ37	SHORT
GJ38	SHORT
GJ39	SHORT
GJ40	SHORT
GJ41	SHORT
GJ42	SHORT
GJ43	SHORT



*	25SZ5
GJ801	SHORT
GJ802	SHORT
GJ803	OPEN
GJ804	OPEN
GJ805	OPEN
T862	NEW
Q883	SE130
D882	MTZJ3.3A
R810	OPEN
R812	5W4.7
R813	2W1.8
SR81	RELAY DC 12V
Q805	RN1205
D845	1S133
SR83	RELAY G5PA-2
R811	1/6W2.2M
R814	OPEN
C812	KETSU
R808	RZ92P2E4R5MGrM1

POWER CORD	
ASIA/ EAST EUROPE	250V 2.5A
HONG KONG	250V 13A
MIDDLE EAST	250V 6A/ 127V 15A
AUSTRALIA	250V 7.5A
TAIWAN	125V 7A



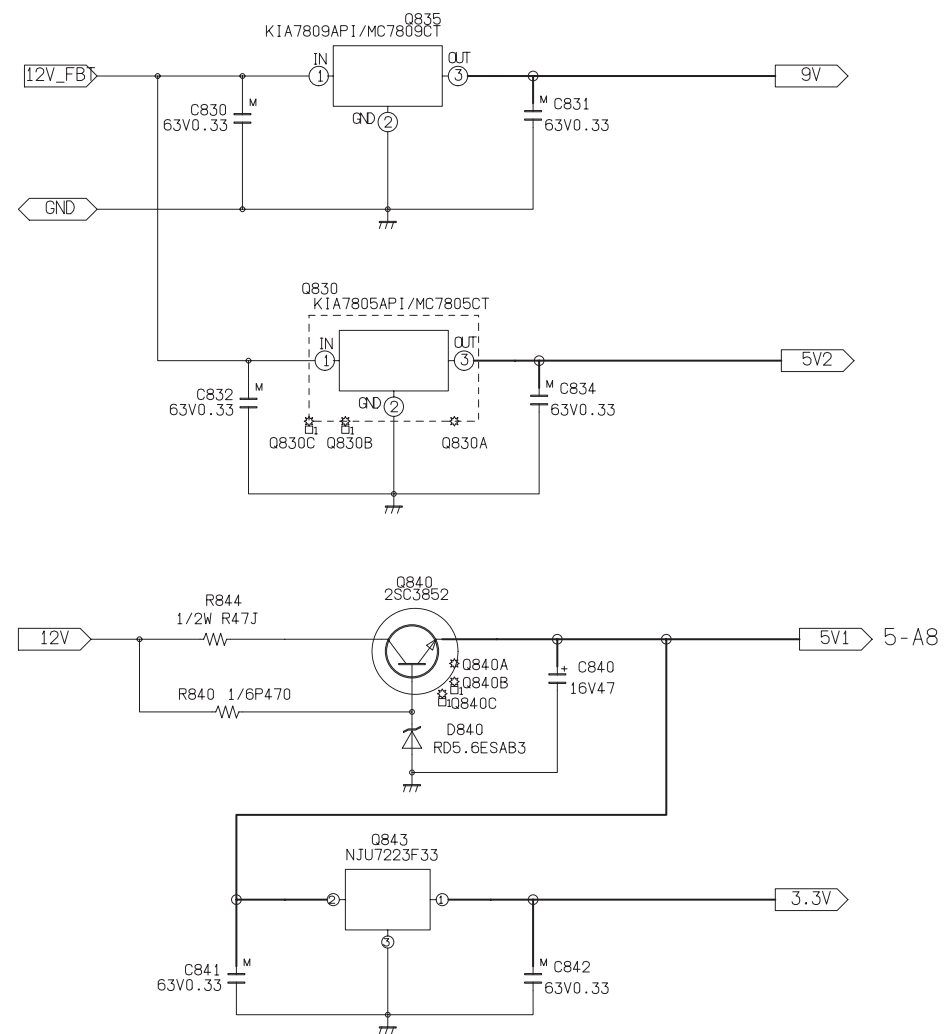
25CSZ5TR/25SZ5ST/25SZ5VX  
MAIN (POWER)  
SHEET-8/9

1

2

A

A



B

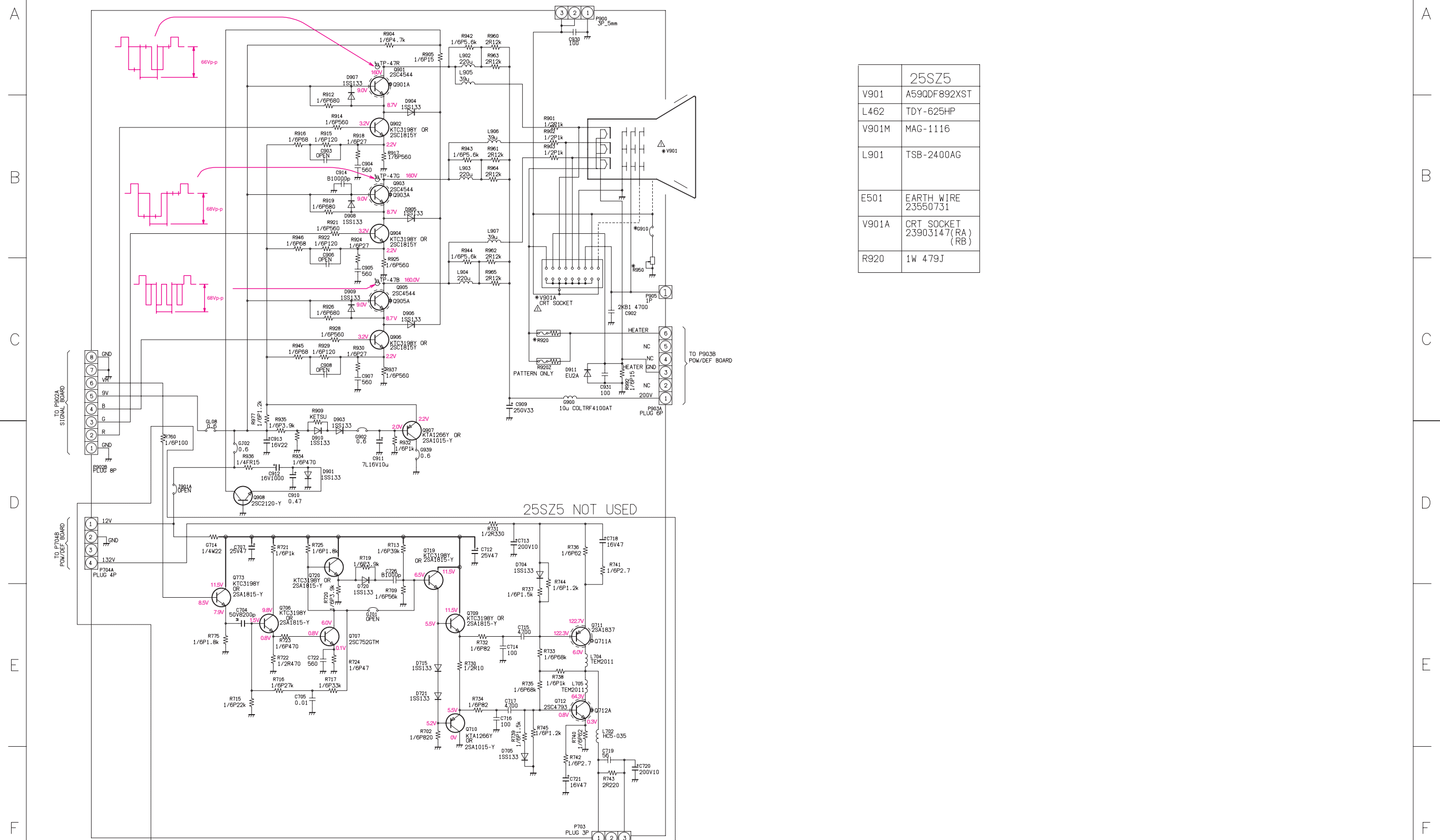
B

25CSZ5TR/25SZ5ST/25SZ5VX  
 MAIN (LOW B REG)  
 SHEET-9/9

1

2

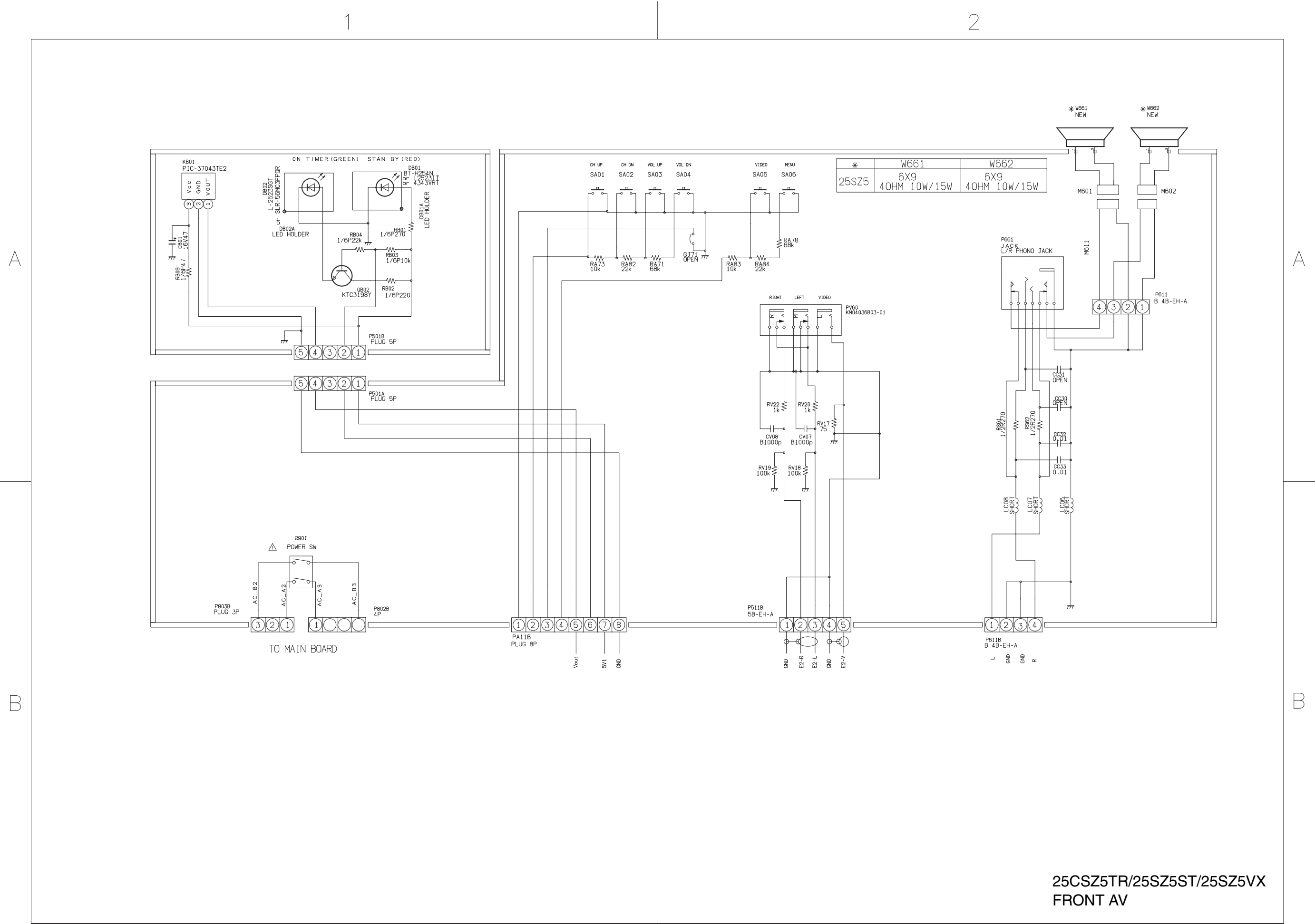
1 2 3 4 5 6 7 8



	25SZ5
V901	A59QDF892XST
L462	TDY-625HP
V901M	MAG-1116
L901	TSB-2400AG
E501	EARTH WIRE 23550731
V901A	CRT SOCKET 23903147(RA) (RB)
R920	1W 479J

25CSZ5TR/25SZ5ST/25SZ5VX  
CRT DRIVE

1 2 3 4 5 6 7 8



*	W661	W662
25SZ5	6X9 40HM 10W/15W	6X9 40HM 10W/15W

25CSZ5TR/25SZ5ST/25SZ5VX  
FRONT AV